

HANA LEMSEFFER
 NECILS LOPEZ
 KIRILL VOLCHINSKIY

PROJECT

HUERTA DEL VALLE
 ONTARIO COMMUNITY
 GARDEN

REVISIONS

MARK:	DATE:	BY:

DATE

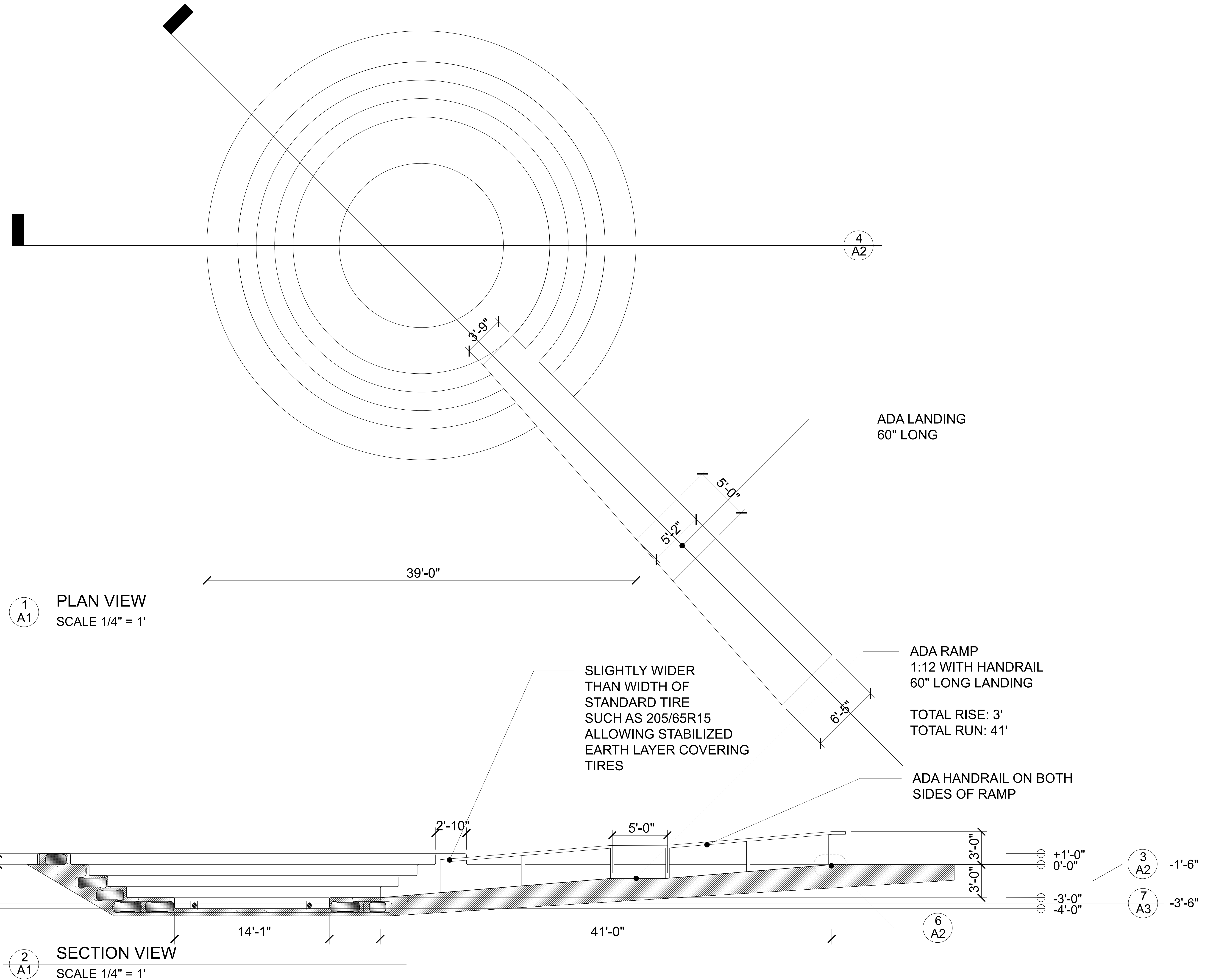
3/31/2015

TITLE

AMPHITHEATER PLAN
 AND SECTION VIEW

PAGE No:

A1



HANA LEMSEFFER
 NECILS LOPEZ
 KIRILL VOLCHINSKIY

PROJECT

HUERTA DEL VALLE
 ONTARIO COMMUNITY
 GARDEN

REVISIONS

MARK:	DATE:	BY:

DATE

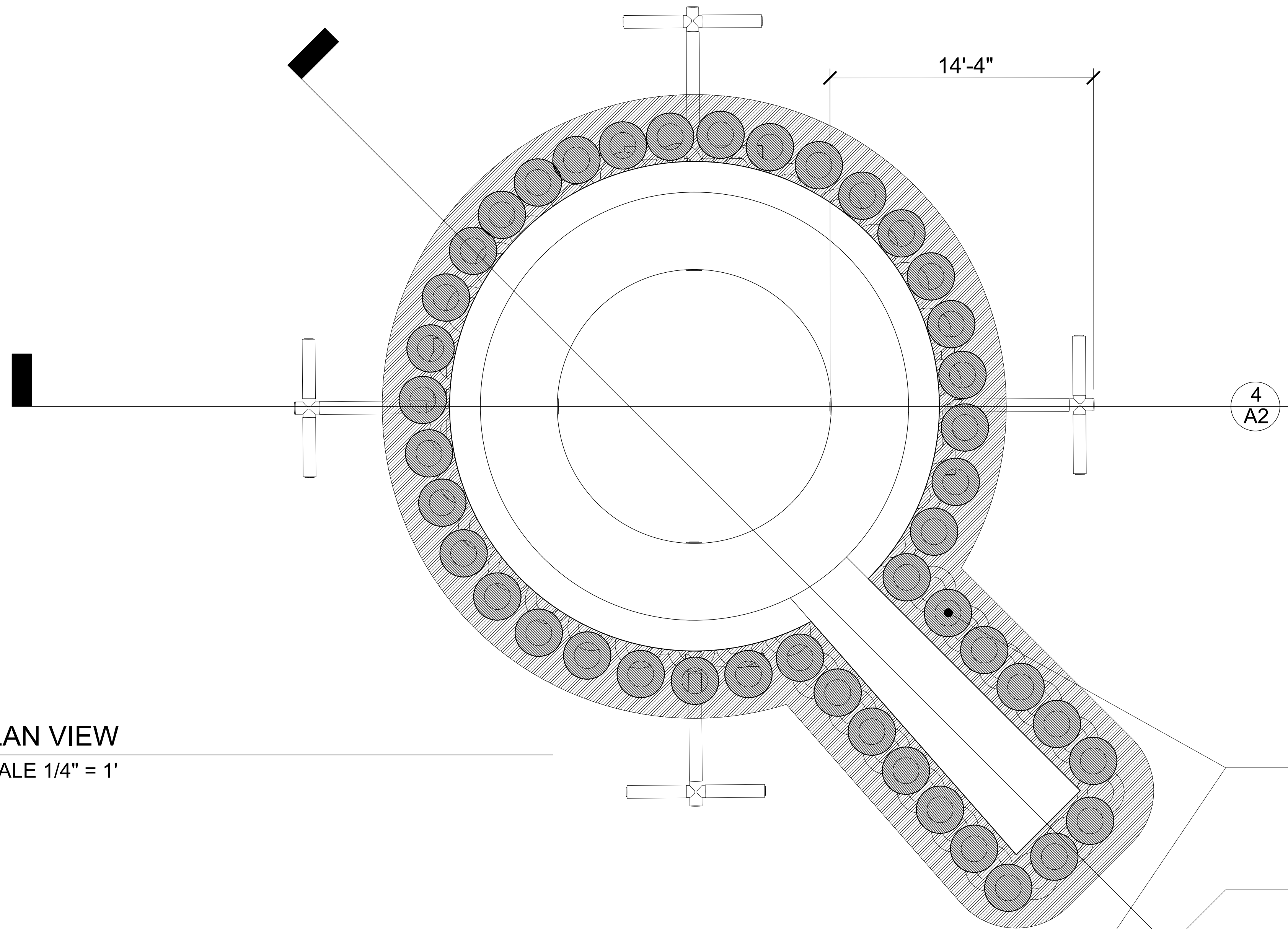
3/31/2015

TITLE

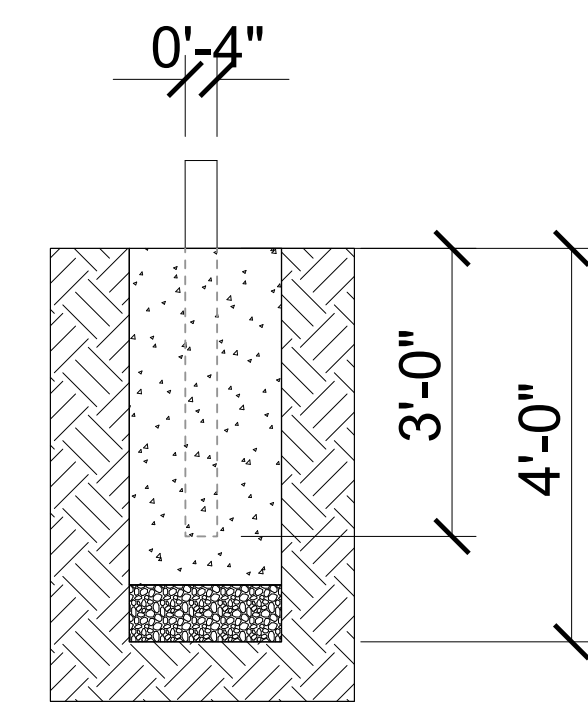
AMPHITHEATER PLAN
 SECTION AND DETAIL
 VIEW

PAGE No:

A2



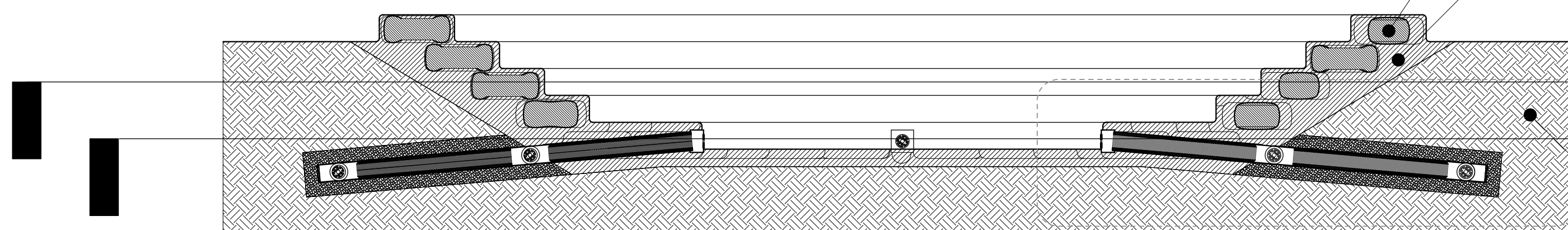
3
 A2
 PLAN VIEW
 SCALE 1/4" = 1'



6
 A2
 RAILING FOOTING DETAIL
 SCALE 1/2" = 1'

SOIL RETAINED USING
 RAMMED EARTH TIRES

COMPACTED AND STABILIZED SOIL
 SURROUNDING RAMMED EARTH
 TIRES



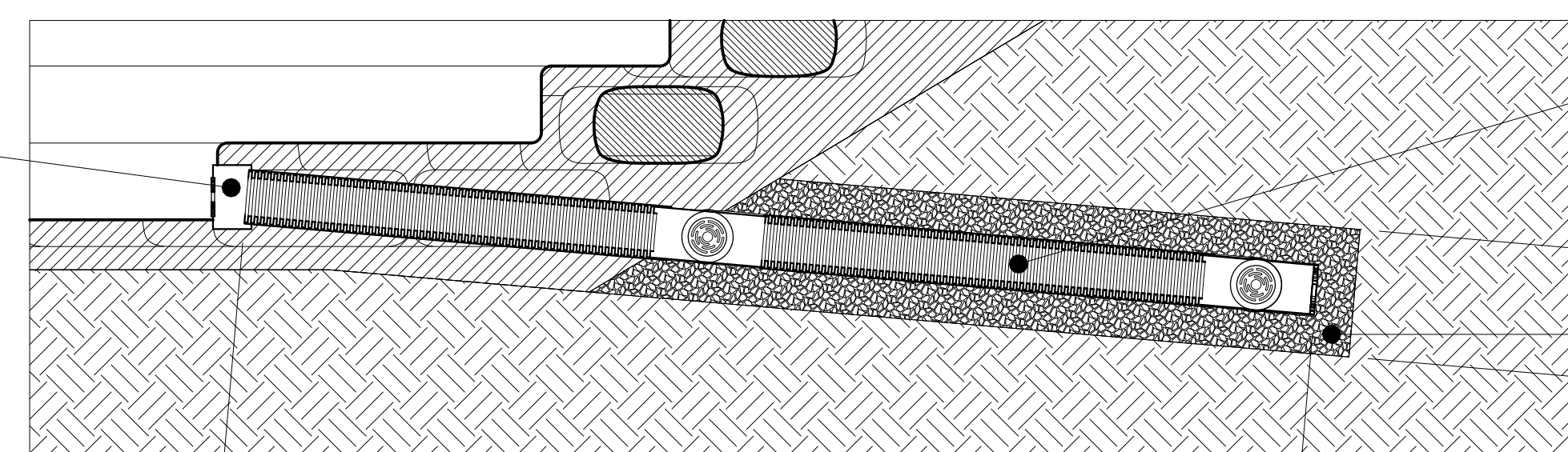
4
 A2
 SECTION VIEW
 SCALE 1/4" = 1'

3
 A2
 -1'-6"

7
 A3
 -3'-6"

5
 A2

MOUTH OF DRAINAGE PIPE
 IS SECURED IN STABILIZED
 AND COMPACTED SOIL



6" INNER DIAMETER HDPE
 PERFORATED DRAINAGE
 PIPE WITH SOCK AT %5 GRADE

COARSE GRAVEL FILL
 6" FROM PIPE
 IN ALL DIRECTIONS

5
 A2
 DRAIN DETAIL SECTION VIEW
 SCALE 1/2" = 1'

14'-0"

1'-8"

HANA LEMSEFFER
 NECILS LOPEZ
 KIRILL VOLCHINSKIY

PROJECT

HUERTA DEL VALLE
 ONTARIO COMMUNITY
 GARDEN

REVISIONS

MARK:	DATE:	BY:

DATE

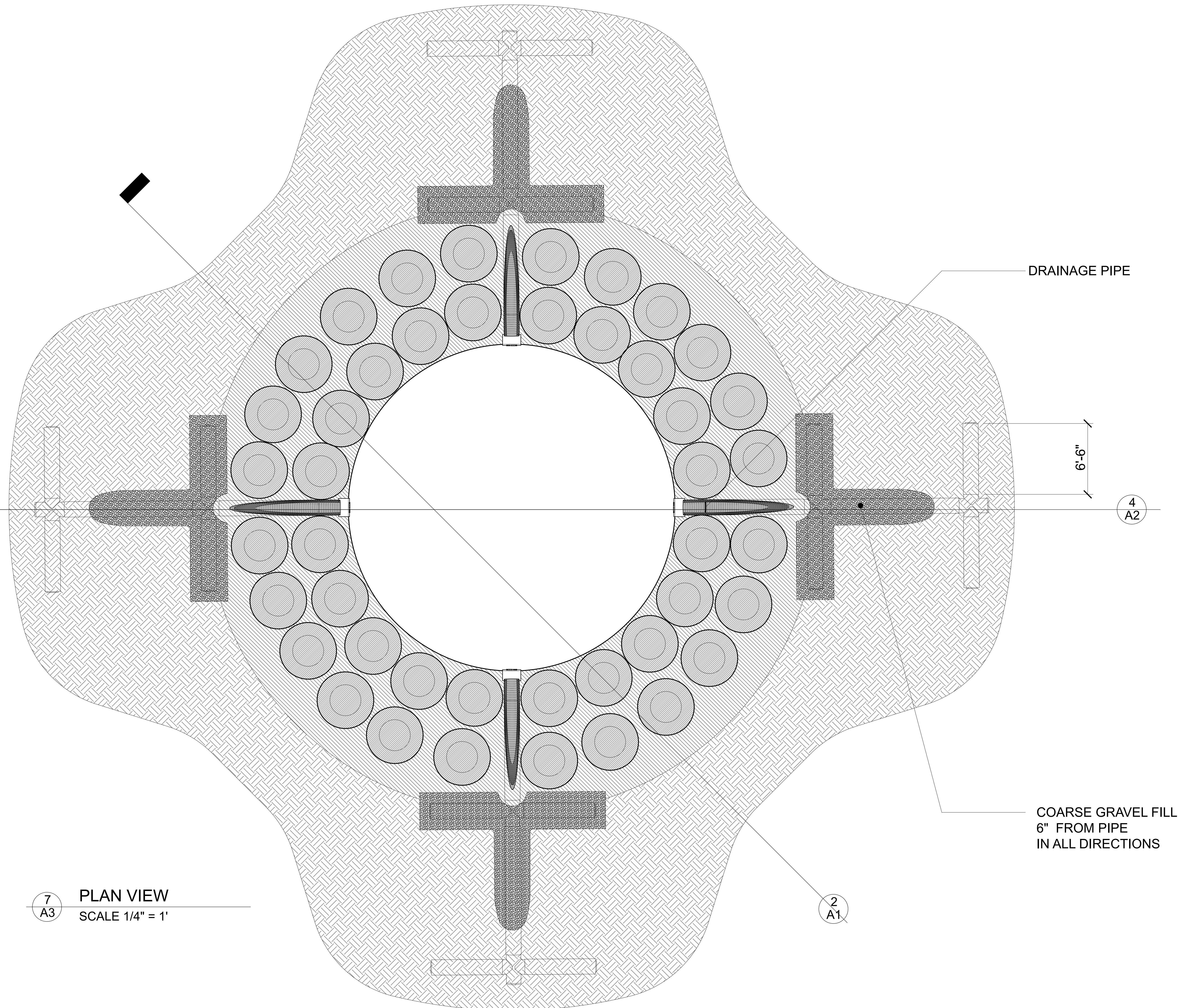
3/31/2015

TITLE

AMPHITHEATER
 PLAN VIEW

PAGE No:

A3



DRAINAGE PIPE

6'-6"

4
A2

COARSE GRAVEL FILL
 6" FROM PIPE
 IN ALL DIRECTIONS

7
A3 PLAN VIEW
 SCALE 1/4" = 1'

2
A1